



Ticor[®]

2010

KITCHEN & BATHROOM VANITY SINK SERIES



SS UNDERMOUNT SERIES **3-12**
 SS OVERMOUNT SERIES **13-14,25**
 SQUARE SERIES **15-22**
 ROYALE SERIES **23-25**

SS APRON SERIES **26-30**
 BATHROOM VANITY SERIES **31-34**
 COPPER SERIES **35-37**
 SINK ACCESSORIES **38-39**



STAINLESS STEEL UNDERMOUNT SERIES

103

Undermount Sink

Sink Size

31-3/4" x 20-1/4" x 9"

Bowl Size

16" x 17-1/2" x 9"(L)

11-1/2" x 15" x 7"(R)

16 Gauge

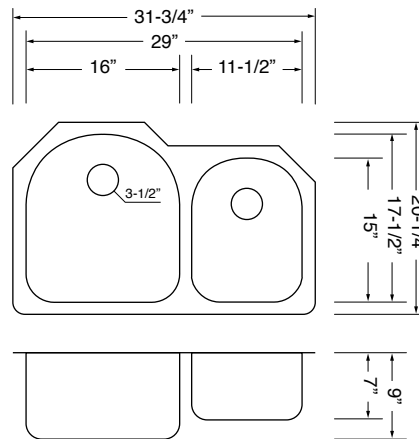
Finish: Brushed Bowl

/ Mirror Rim

Minimum

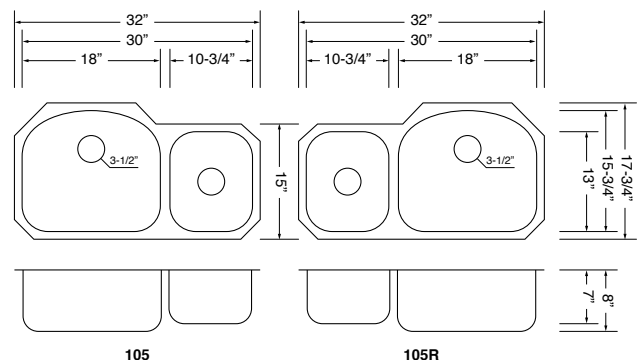
Recommended

Cabinet: 33"



105/105R

Undermount Sink



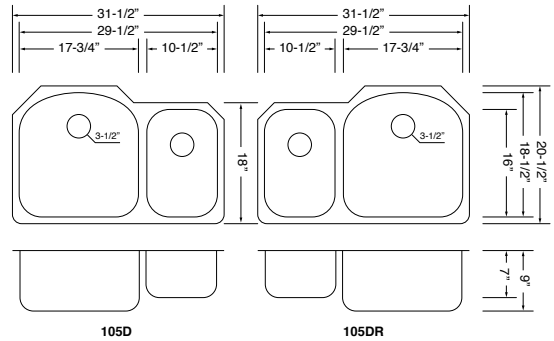
105 Sink Size 32" x 17-3/4" x 8" Bowl Size 18" x 15-3/4" x 8"(L), 10-3/4" x 13" x 7"(R)

105R Sink Size 32" x 17-3/4" x 8" Bowl Size 10-3/4" x 13" x 7"(L), 18" x 15-3/4" x 8"(R)

16 Gauge Finish: Brushed Bowl / Mirror Rim. Minimum Recommended Cabinet: 33"

105D/105DR

Undermount Sink



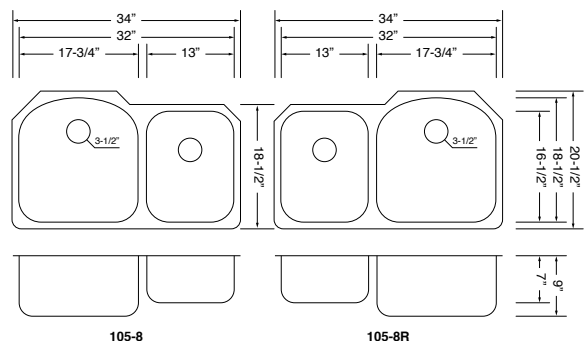
105D Sink Size 31-1/2" x 20-1/2" x 9" Bowl Size 17-3/4" x 18-1/2" x 9"(L), 10-1/2" x 16" x 7"(R)

105DR Sink Size 31-1/2" x 20-1/2" x 9" Bowl Size 10-1/2" x 16" x 7"(L), 17-3/4" x 18-1/2" x 9"(R)

16 Gauge Finish: Brushed Bowl / Mirror Rim. Minimum Recommended Cabinet: 33"

105-8/105-8R

Undermount Sink



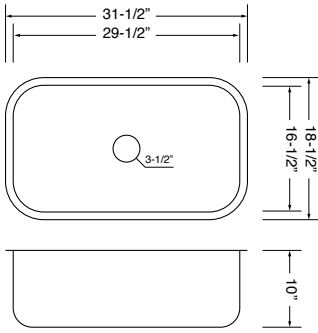
105-8 Sink Size 34" x 20-1/2" x 9" Bowl Size 17-3/4" x 18-1/2" x 9"(L), 13" x 16-1/2" x 7"(R)

105-8R Sink Size 34" x 20-1/2" x 9" Bowl Size 13" x 16-1/2" x 7"(L), 17-3/4" x 18-1/2" x 9"(R)

16 Gauge Finish: Brushed Bowl / Mirror Rim. Minimum Recommended Cabinet: 36"

112

Undermount Sink



Sink Size
31-1/2" x 18-1/2" x 10"

Bowl Size
29-1/2" x 16-1/2" x 10"

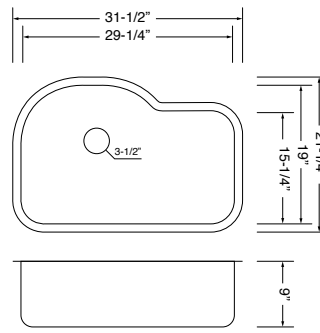
16 Gauge

Finish: Brushed
Bowl / Mirror Rim
Minimum
Recommended
Cabinet: 33"



113

Undermount Sink

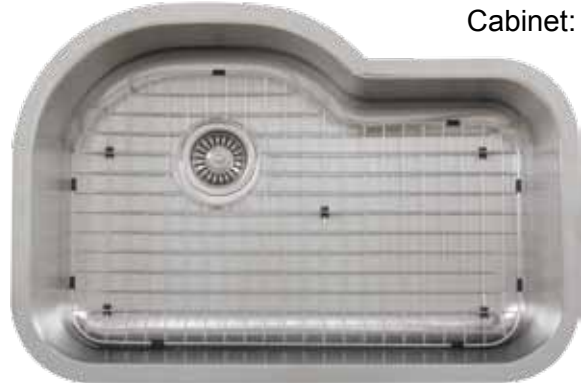


Sink Size
31-1/2" x 21-1/4" x 9"

Bowl Size
29-1/4" x 19" x 9"

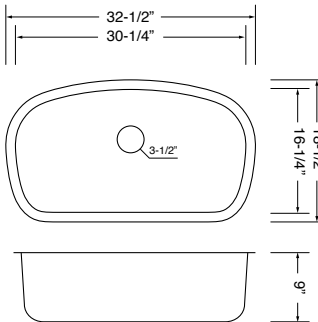
16 Gauge

Finish: Brushed
Bowl / Mirror Rim
Minimum
Recommended
Cabinet: 33"



115

Undermount Sink



Sink Size
32-1/2" x 18-1/2" x 9"

Bowl Size
30-1/4" x 16-1/4" x 9"

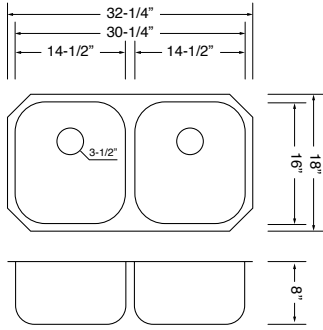
16 Gauge

Finish: Brushed
Bowl / Mirror Rim
Minimum
Recommended
Cabinet: 33"



205

Undermount Sink



Sink Size

32-1/4" x 18" x 8"

Bowl Size

14-1/2" x 16" x 8"

16 Gauge

Finish: Brushed

Bowl / Mirror Rim

Minimum

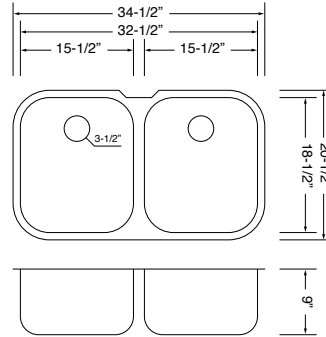
Recommended

Cabinet: 33"



205D

Undermount Sink



Sink Size

34-1/2" x 20-1/2" x 9"

Bowl Size

15-1/2" x 18-1/2" x 9"

16 Gauge

Finish: Brushed

Bowl / Mirror Rim

Minimum

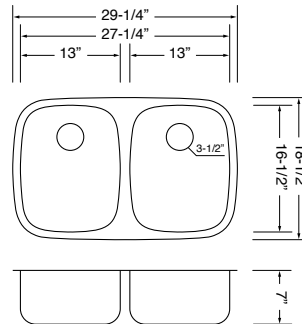
Recommended

Cabinet: 36"



215

Undermount Sink



Sink Size

29-1/4" x 18-1/2" x 7"

Bowl Size

13" x 16-1/2" x 7"

16 Gauge

Finish: Brushed Bowl /

Mirror Rim. Minimum

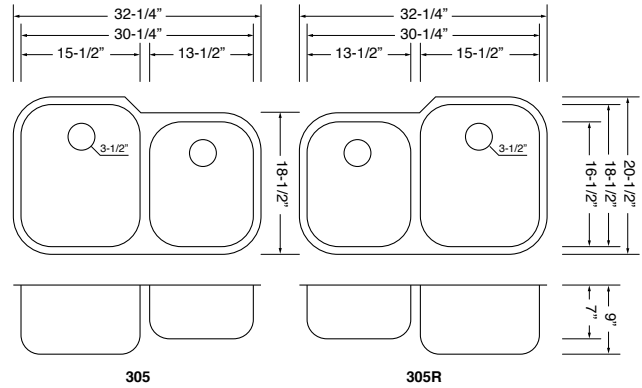
Recommended

Cabinet: 30"



305/305R

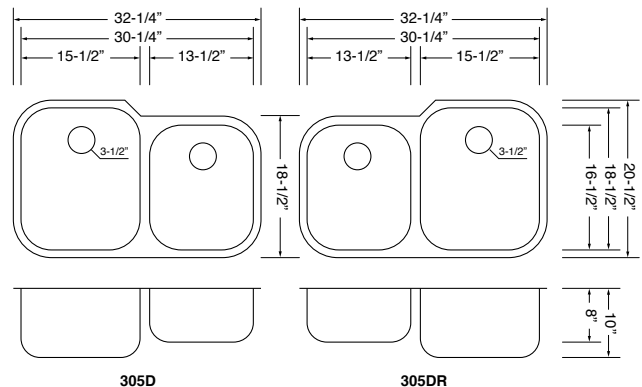
Undermount Sink



305 Sink Size 32-1/4" x 20-1/2" x 9" Bowl Size 15-1/2" x 18-1/2" x 9" (L), 13-1/2" x 16-1/2" x 7" (R)
305R Sink Size 32-1/4" x 20-1/2" x 9" Bowl Size 13-1/2" x 16-1/2" x 7" (L), 15-1/2" x 18-1/2" x 9" (R)
16 Gauge Finish: Brushed Bowl / Mirror Rim. Minimum Recommended Cabinet: 33"

305D/305DR

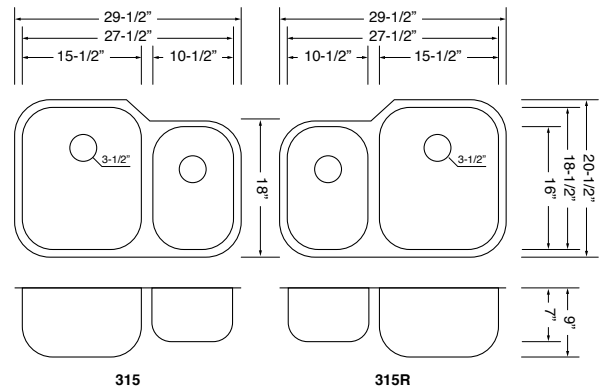
Undermount Sink



305D Sink Size 32-1/4" x 20-1/2" x 10" Bowl Size 15-1/2" x 18-1/2" x 10" (L), 13-1/2" x 16-1/2" x 8" (R)
305DR Sink Size 32-1/4" x 20-1/2" x 10" Bowl Size 13-1/2" x 16-1/2" x 8" (L), 15-1/2" x 18-1/2" x 10" (R)
16 Gauge Finish: Brushed Bowl / Mirror Rim. Minimum Recommended Cabinet: 33"

315/315R

Undermount Sink

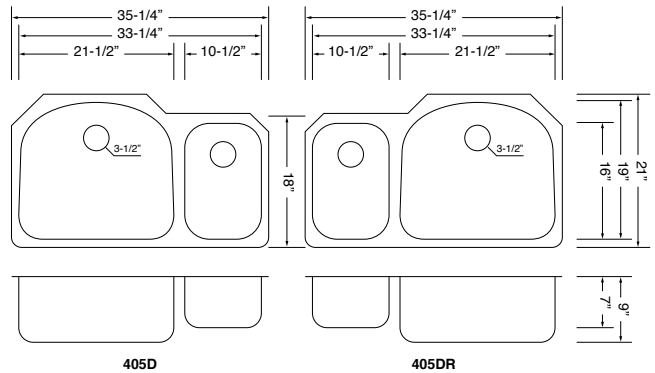


315 Sink Size 29-1/2" x 20-1/2" x 9" Bowl Size 15-1/2" x 18-1/2" x 9"(L), 10-1/2" x 16" x 7"(R)
315R Sink Size 29-1/2" x 20-1/2" x 9" Bowl Size 10-1/2" x 16" x 7"(L), 15-1/2" x 18-1/2" x 9"(R)
16 Gauge Finish: Brushed Bowl / Mirror Rim. Minimum Recommended Cabinet: 30"



405D/405DR

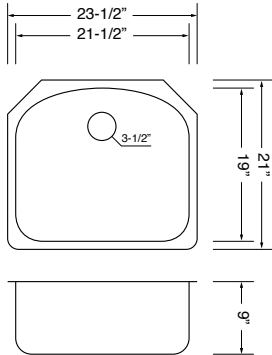
Undermount Sink



405D Sink Size 35-1/4" x 21" x 9" Bowl Size 21-1/2" x 19" x 9"(L), 10-1/2" x 16" x 7"(R)
 405DR Sink Size 35-1/4" x 21" x 9" Bowl Size 10-1/2" x 16" x 7"(L), 21-1/2" x 19" x 9"(R)
 16 Gauge Finish: Brushed Bowl / Mirror Rim. Minimum Recommended Cabinet: 39"

405

Undermount Sink

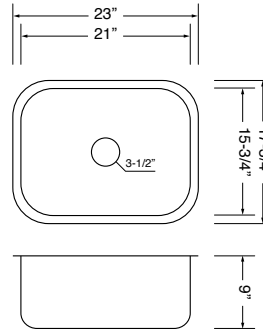


Sink Size 23-1/2" x 21" x 9"
 Bowl Size 21-1/2" x 19" x 9"
 16 Gauge
 Finish: Brushed Bowl / Mirror Rim
 Minimum Recommended Cabinet: 24"



505

Undermount Sink



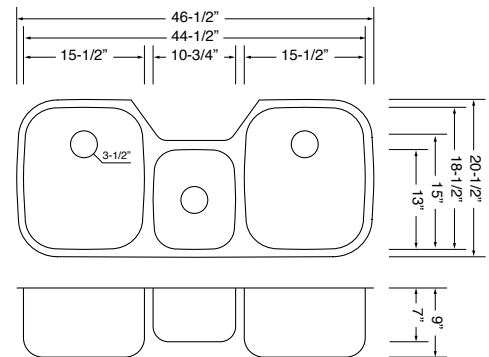
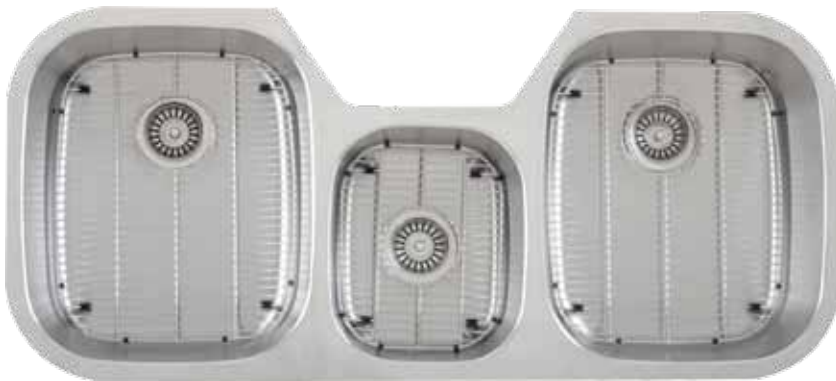
Sink Size 23" x 17-3/4" x 9"
 Bowl Size 21" x 15-3/4" x 9"
 16 Gauge
 Finish: Brushed Bowl / Mirror Rim
 Minimum Recommended Cabinet: 24"





605

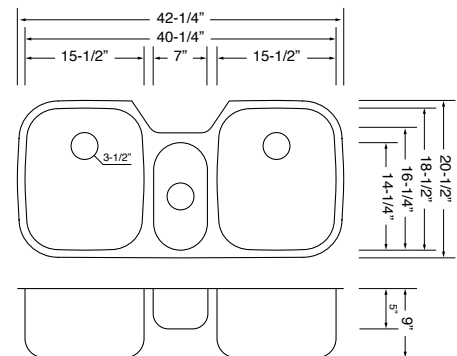
Undermount Sink



Sink Size 46-1/2" x 20-1/2" x 9" Bowl Size 15-1/2" x 18-1/2" x 9"(L), 10-3/4" x 13" x 7"(M), 15-1/2" x 18-1/2" x 9"(R)
16 Gauge Finish: Brushed Bowl / Mirror Rim. Minimum Recommended Cabinet: 48"

615

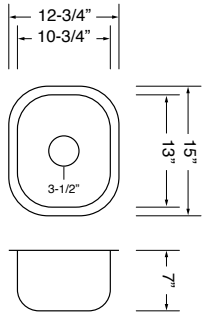
Undermount Sink



Sink Size 42-1/4" x 20-1/2" x 9" Bowl Size 15-1/2" x 18-1/2" x 9"(L), 7" x 14-1/4" x 5"(M), 15-1/2" x 18-1/2" x 9"(R)
16 Gauge Finish: Brushed Bowl / Mirror Rim. Minimum Recommended Cabinet: 45"

705

Undermount Sink



Sink Size
12-3/4" x 15" x 7"

Bowl Size
10-3/4" x 13" x 7"

16 Gauge

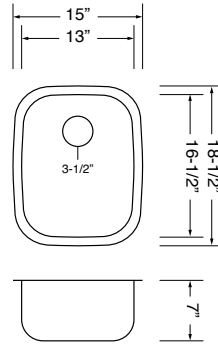
**Finish: Brushed Bowl /
Mirror Rim**

Minimum
Recommended
Cabinet: 15"



805

Undermount Sink



Sink Size
15" x 18-1/2" x 7"

Bowl Size
13" x 16-1/2" x 7"

16 Gauge

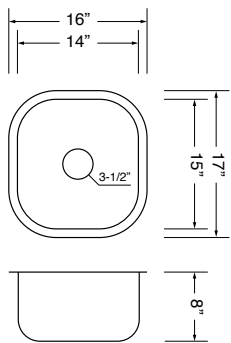
**Finish: Brushed Bowl /
Mirror Rim**

Minimum
Recommended
Cabinet: 15"



815

Undermount Sink



Sink Size
16" x 17" x 8"

Bowl Size
14" x 15" x 8"

16 Gauge

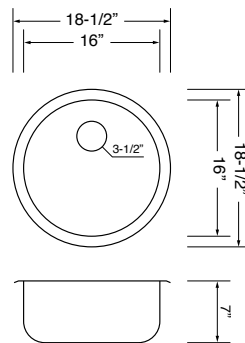
**Finish: Brushed Bowl /
Mirror Rim**

Minimum
Recommended
Cabinet: 18"



905

Undermount/Overmount Sink



Sink Size
18-1/2"d x 7"

Bowl Size
16"d x 7"

16 Gauge

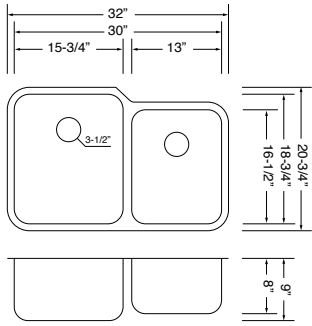
**Finish: Brushed Bowl /
Mirror Rim**

Minimum
Recommended
Cabinet: 21"



1205

Undermount Sink



Sink Size
32" x 20-3/4" x 9"

Bowl Size
15-3/4" x 18-3/4" x 9"(L)
13" x 16-1/2" x 8"(R)

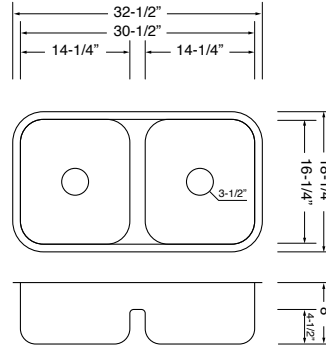
16 Gauge

**Finish: Brushed Bowl /
Mirror Rim. Minimum
Recommended
Cabinet: 33"**



1210

Undermount Sink with Low Divide



Sink Size
32-1/2" x 18-1/4" x 8"

Bowl Size
14-1/4" x 16-1/4" x 8"

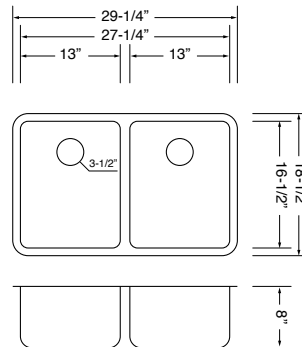
16 Gauge

**Finish: Brushed Bowl
& Low Divide /
Mirrored Rim.
Minimum
Recommended
Cabinet: 33"**



1215

Undermount Sink



Sink Size
29-1/4" x 18-1/2" x 8"

Bowl Size
13" x 16-1/2" x 8"

16 Gauge

**Finish: Brushed Bowl /
Mirror Rim. Minimum
Recommended
Cabinet: 30"**

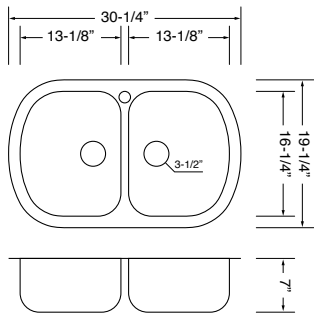




OVERMOUNT SERIES

991

Overmount Sink

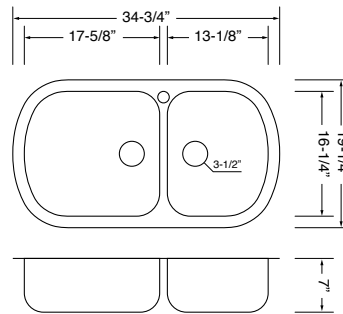


Sink Size
30-1/4" x 19-1/4" x 7"
Bowl Size
13-1/8" x 16-1/4" x 7"
18 Gauge
Finish: Brushed
Bowl & Rim
Minimum
Recommended
Cabinet: 30"



992

Overmount Sink



Sink Size
34-3/4" x 19-1/4" x 7"
Bowl Size
17-5/8" x 16-1/4" x 7" (L)
13-1/8" x 16-1/4" x 7" (R)
18 Gauge
Finish: Brushed Bowl & Rim
Minimum Recommended Cabinet: 33"



995

Overmount Sink

Sink Size

33" x 22" x 9"

Bowl Size

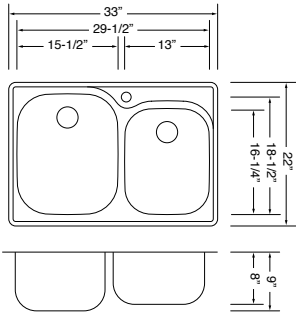
15-1/2" x 18-1/2" x 9"(L)

13" x 16-1/4" x 8"(R)

18 Gauge

Finish: Brushed Bowl & Rim. Minimum

Recommended Cabinet: 33"



997

Overmount Sink

Sink Size

31-1/2" x 20-1/2" x 9"

Bowl Size

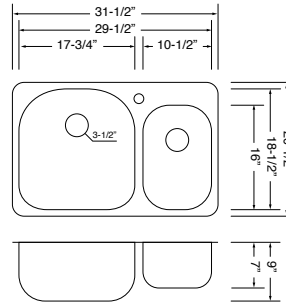
17-3/4" x 18-1/2" x 9"(L)

10-1/2" x 16" x 7"(R)

18 Gauge

Finish: Brushed Bowl & Rim. Minimum

Recommended Cabinet: 33"



998

Overmount Sink

Sink Size

31-1/2" x 20-1/2" x 8"

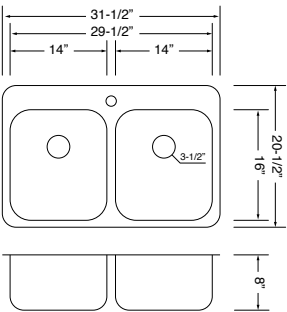
Bowl Size

14" x 16" x 8"

18 Gauge

Finish: Brushed Bowl & Rim. Minimum

Recommended Cabinet: 33"



999

Overmount Sink

Sink Size

44" x 23-1/4" x 8"

Bowl Size

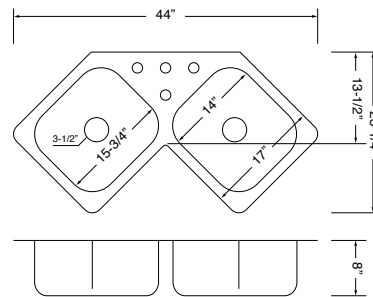
15-3/4" x 14" x 8"

18 Gauge

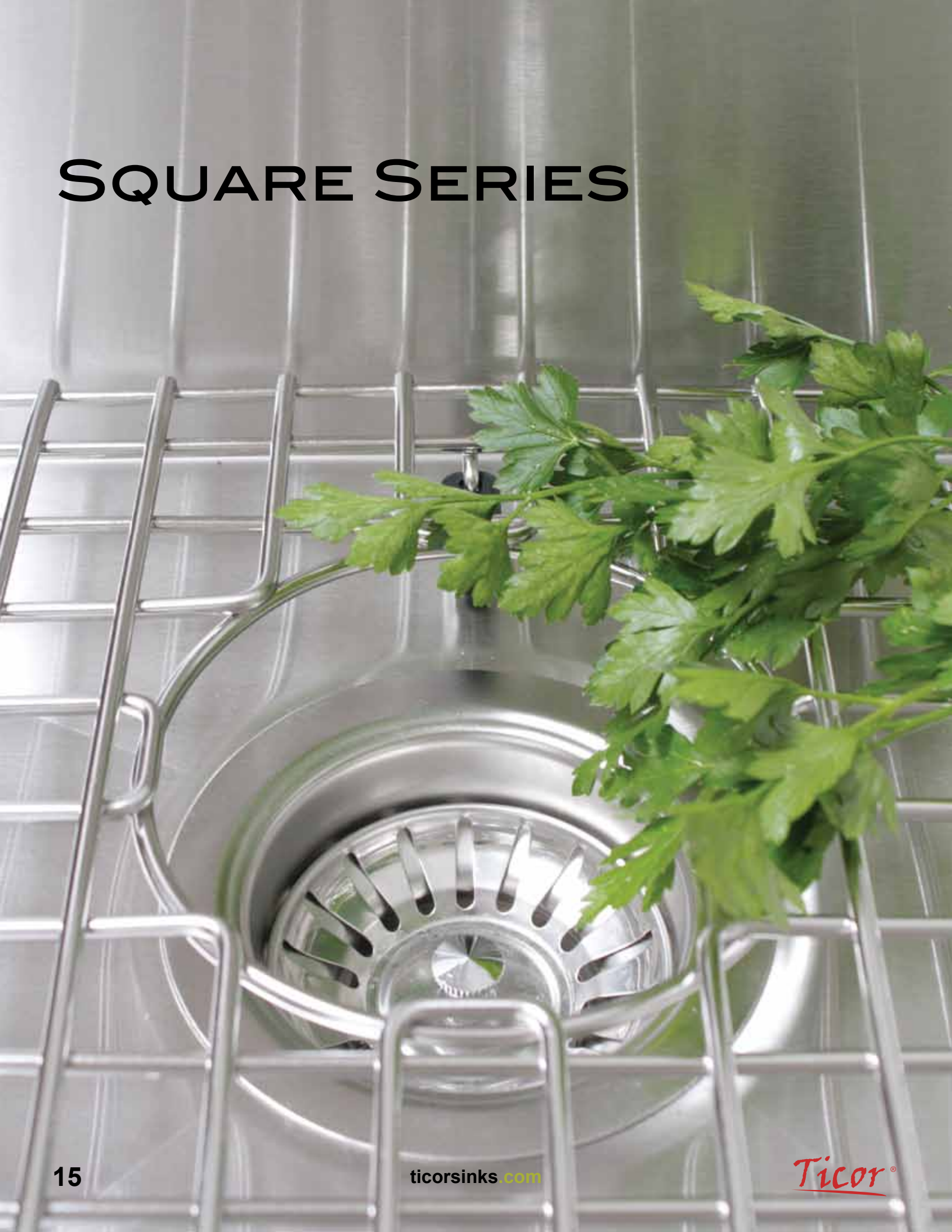
Finish: Brushed Bowl & Rim

Corner Cabinet Minimum

Recommended Cabinet: 36"



SQUARE SERIES



108

Zero Radius Beveled Rim
Undermount Sink

Sink Size

8-1/2" x 18" x 5-1/2"

Bowl Size

5-3/4" x 15-1/4" x 5-1/2"

Cutout Size

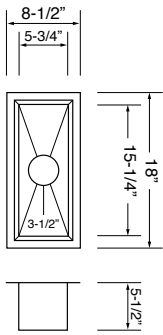
7-1/8" x 16-5/8"

16 Gauge

Finish:

Brushed Bowl /
Mirror Rim &
Bevel

Minimum
Recommended
Cabinet: 9"



208

Zero Radius Beveled Rim
Undermount Sink

Sink Size

18" x 15-3/4" x 9-1/2"

Bowl Size

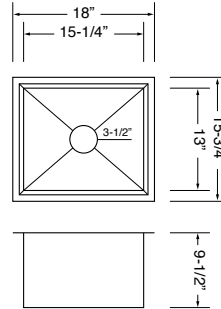
15-1/4" x 13" x 9-1/2"

Cutout Size

16-5/8" x 14-1/4"

16 Gauge

Finish: Brushed Bowl / Mirror Rim & Bevel
Minimum Recommended Cabinet: 21"



308

Zero Radius Beveled Rim
Undermount Sink

Sink Size

30-1/2" x 18" x 9-1/2"

Bowl Size

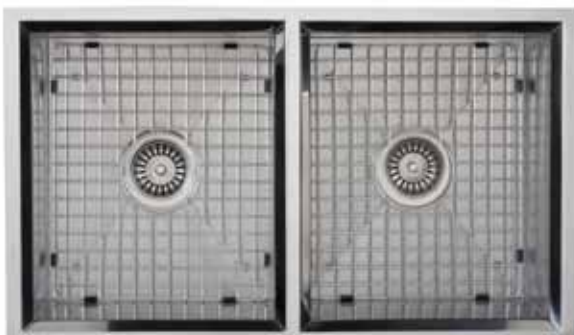
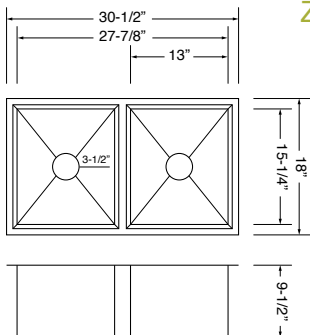
13" x 15-1/4" x 9-1/2"

Cutout Size

29-1/8" x 16-5/8"

16 Gauge

Finish: Brushed Bowl /
Mirror Rim & Bevel. Minimum
Recommended Cabinet: 33"



408

Zero Radius Beveled Rim
Undermount Sink

Sink Size

23-1/4" x 18" x 9-1/2"

Bowl Size

12-7/8" x 15-1/4" x 9-1/2" (L)

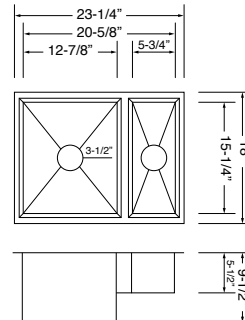
5-3/4" x 15-1/4" x 5-1/2" (R)

Cutout Size

22-1/8" x 16-5/8"

16 Gauge

Finish: Brushed Bowl / Mirror Rim & Bevel
Minimum Recommended Cabinet: 24"



508

Zero Radius Beveled Rim Undermount Sink

Sink Size

30-5/8" x 18" x 9-1/2"

Bowl Size

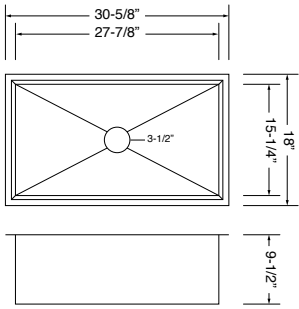
27-7/8" x 15-1/4" x 9-1/2"

Cutout Size

29-1/4" x 16-5/8"

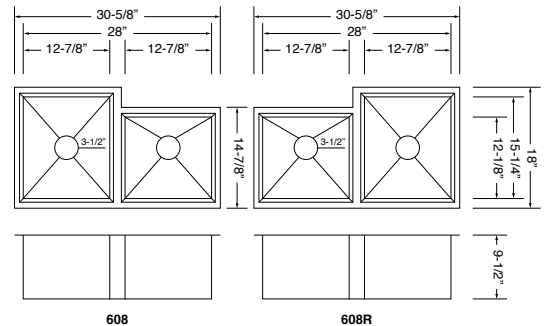
16 Gauge

Finish: Brushed Bowl / Mirror Rim & Bevel. Minimum Recommended Cabinet: 33"



608/608R

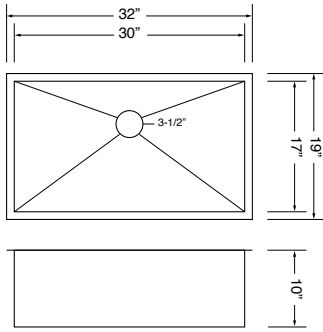
Zero Radius Beveled Rim Undermount Sink



608 Sink Size 30-5/8" x 18" x 9-1/2" Bowl Size 12-7/8" x 15-1/4" x 9-1/2"(L), 12-7/8" x 12-1/8" x 9-1/2"(R)
 608R Sink Size 30-5/8" x 18" x 9-1/2" Bowl Size 12-7/8" x 12-1/8" x 9-1/2"(L), 12-7/8" x 15-1/4" x 9-1/2"(R)
 16 Gauge Finish: Brushed Bowl / Mirror Rim & Bevel. Minimum Recommended Cabinet: 33"

3510

Zero Radius Undermount Sink



Sink Size
32" x 19" x 10"

Bowl Size
30" x 17" x 10"

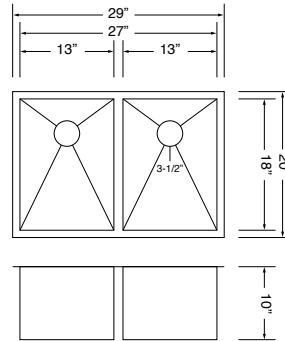
16 Gauge

Finish: Brushed
Bowl & Rim. Minimum
Recommended
Cabinet: 33"



3520

Zero Radius Undermount Sink

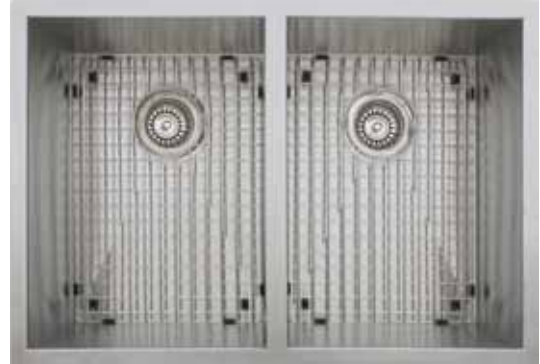


Sink Size
29" x 20" x 10"

Bowl Size
13" x 18" x 10"

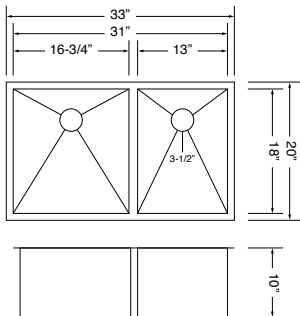
16 Gauge

Finish: Brushed
Bowl & Rim. Minimum
Recommended
Cabinet: 30"



3530

Zero Radius Undermount Sink



Sink Size
33" x 20" x 10"

Bowl Size
16-3/4" x 18" x 10"(L)
13" x 18" x 10"(R)

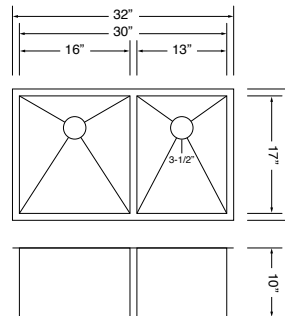
16 Gauge

Finish: Brushed
Bowl & Rim. Minimum
Recommended Cabinet: 33"



3540

Zero Radius Undermount Sink



Sink Size
32" x 19" x 10"

Bowl Size
16" x 17" x 10"(L)
13" x 17" x 10"(R)

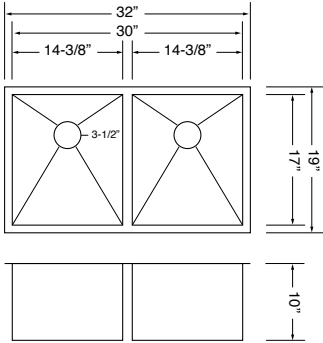
16 Gauge

Finish: Brushed
Bowl & Rim. Minimum
Recommended Cabinet: 33"



3550

Zero Radius Undermount Sink



Sink Size
32" x 19" x 10"

Bowl Size
14-3/8" x 17" x 10"

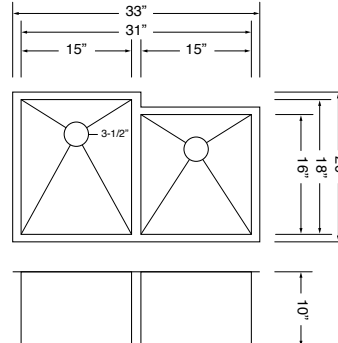
16 Gauge

Finish: Brushed
Bowl & Rim. Minimum
Recommended
Cabinet: 33"



3560

Zero Radius Undermount Sink

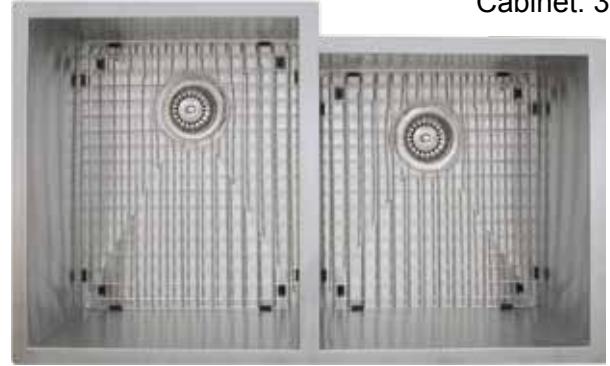


Sink Size
33" x 20" x 10"

Bowl Size
15" x 18 x 10" (L)
15" x 16" x 10" (R)

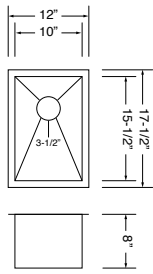
16 Gauge

Finish: Brushed
Bowl & Rim. Minimum
Recommended
Cabinet: 33"



3610

Zero Radius Undermount Sink



Sink Size
12" x 17-1/2" x 8"

Bowl Size
10" x 15-1/2" x 8"

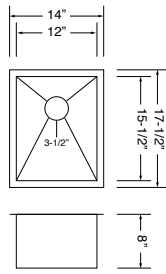
16 Gauge

Finish: Brushed
Bowl & Rim
Minimum
Recommended
Cabinet: 15"



3620

Zero Radius Undermount Sink



Sink Size
14" x 17-1/2" x 8"

Bowl Size
12" x 15-1/2" x 8"

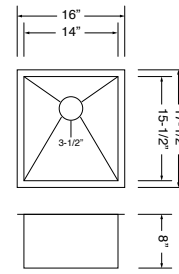
16 Gauge

Finish: Brushed
Bowl & Rim
Minimum
Recommended
Cabinet: 15"



3630

Zero Radius Undermount Sink



Sink Size
16" x 17-1/2" x 8"

Bowl Size
14" x 15-1/2" x 8"

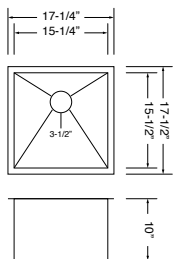
16 Gauge

Finish: Brushed
Bowl & Rim
Minimum
Recommended
Cabinet: 18"



3640

Zero Radius Undermount Sink



Sink Size
17-1/4" x 17-1/2"
x 10"

Bowl Size
15-1/4" x 15-1/2"
x 10"

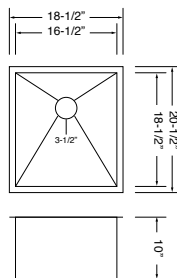
16 Gauge

Finish: Brushed
Bowl & Rim
Minimum
Recommended Cabinet: 18"



3650

Zero Radius Undermount Sink



Sink Size
18-1/2" x 20-1/2"
x 10"

Bowl Size
16-1/2" x 18-1/2"
x 10"

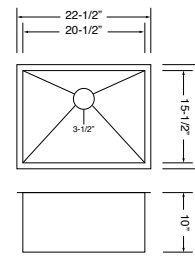
16 Gauge

Finish: Brushed
Bowl & Rim
Minimum
Recommended Cabinet: 21"



3660

Zero Radius Undermount Sink



Sink Size
22-1/2" x 17-1/2"
x 10"

Bowl Size
20-1/2" x 15-1/2"
x 10"

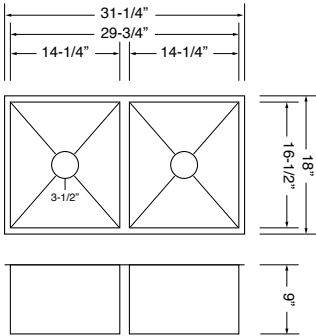
16 Gauge

Finish: Brushed
Bowl & Rim
Minimum
Recommended Cabinet: 24"



6501

Zero Radius Undermount Sink

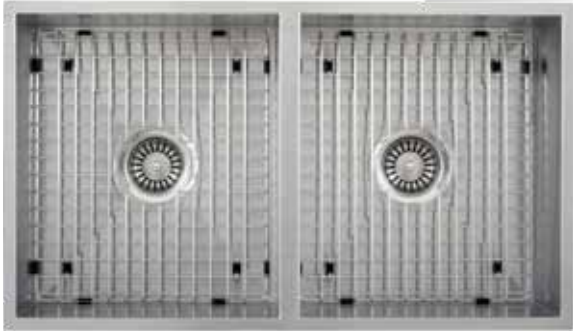


Sink Size
31-1/4" x 18" x 9"

Bowl Size
14-1/4" x 16-1/2" x 9"

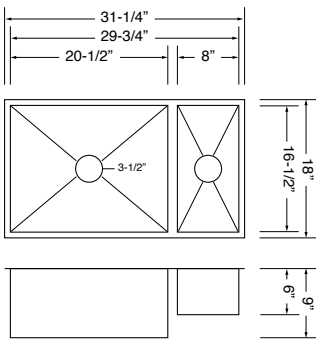
16 Gauge

Finish: Brushed
Bowl & Rim. Minimum
Recommended
Cabinet: 33"



6502

Zero Radius Undermount Sink



Sink Size
31-1/4" x 18" x 9"

Bowl Size
20-1/2" x 16-1/2" x 9" (L)
8" x 16-1/2" x 6" (R)

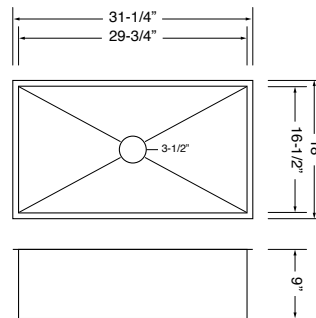
16 Gauge

Finish: Brushed
Bowl & Rim. Minimum
Recommended
Cabinet: 33"



6503

Zero Radius Undermount Sink



Sink Size
31-1/4" x 18" x 9"

Bowl Size
29-3/4" x 16-1/2" x 9"

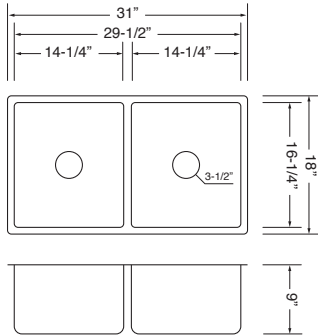
16 Gauge

Finish: Brushed
Bowl & Rim. Minimum
Recommended
Cabinet: 33"



6511

Tight Radius Corner Undermount Sink



Sink Size
31" x 18" x 9"

Bowl Size
14-1/4" x 16-1/4" x 9"

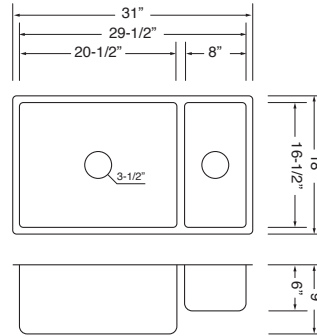
16 Gauge

Finish: Brushed
Bowl & Rim. Minimum
Recommended
Cabinet: 33"



6512

Tight Radius Corner Undermount Sink



Sink Size
31" x 18" x 9-3/4"

Bowl Size
20-1/2" x 16-1/2" x 9" (L)
8" x 16-1/2" x 6" (R)

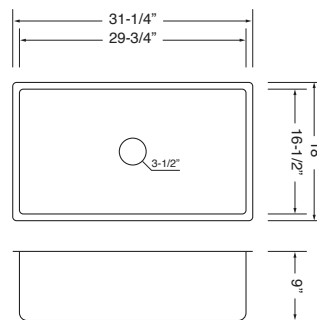
16 Gauge

Finish: Brushed
Bowl & Rim. Minimum
Recommended
Cabinet: 33"



6513

Tight Radius Corner Undermount Sink



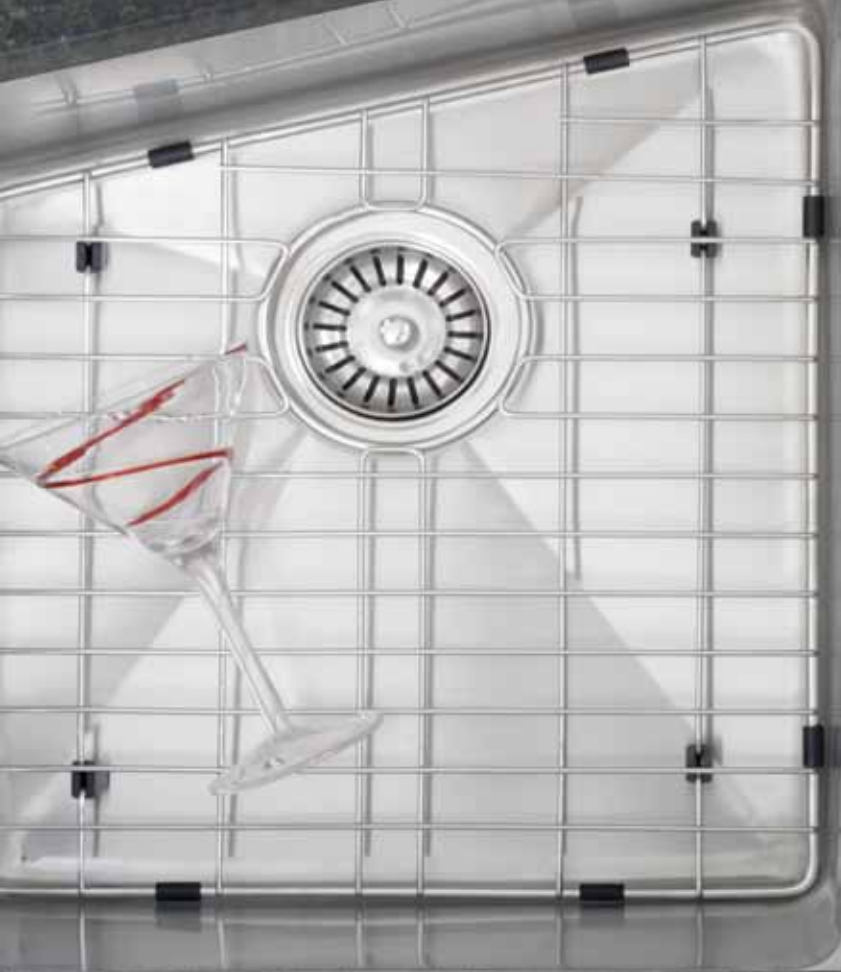
Sink Size
31-1/4" x 18" x 9"

Bowl Size
29-3/4" x 16-1/2" x 9"

16 Gauge

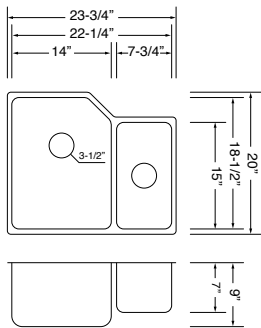
Finish: Brushed
Bowl & Rim. Minimum
Recommended
Cabinet: 33"





TR1200

Tight Radius Corner Undermount Sink



Sink Size
23-3/4" x 20" x 9"

Bowl Size
14" x 18-1/2" x 9" (L)
7-3/4" x 15" x 7" (R)

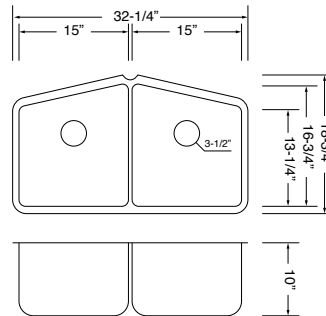
16 Gauge

Finish: Brushed
Bowl & Rim. Minimum
Recommended
Cabinet: 24"



TR1300

Tight Radius Corner Undermount Sink



Sink Size
32-1/4" x 18-3/4"
x 10"

Bowl Size
15" x 16-3/4"
x 10"

16 Gauge

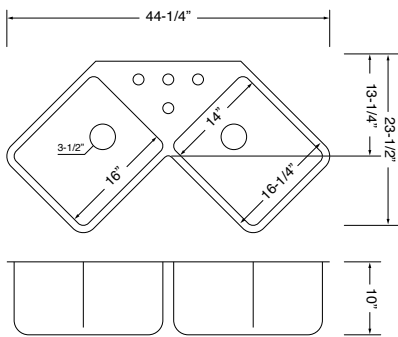
Finish: Brushed
Bowl & Rim. Minimum
Recommended
Cabinet: 33"





TR1400

Tight Radius Corner Undermount Sink



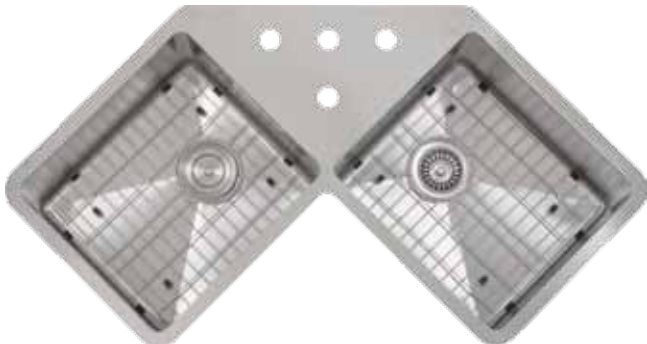
Sink Size
44-1/4" x 23-1/2"
x 10"

Bowl Size
16" x 14"
x 10"

16 Gauge

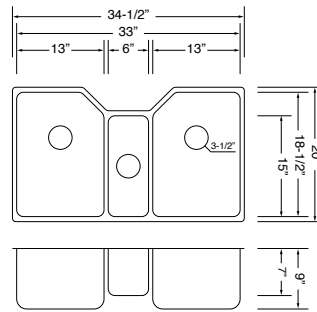
Finish: Brushed
Bowl & Rim.
Corner Cabinet

Recommended Cabinet Size: 36"



TR1500

Tight Radius Corner Undermount Sink



Sink Size
34-1/2" x 20" x 9"

Bowl Size
13" x 18-1/2" x 9"(L, R)
6" x 15" x 7"(M)

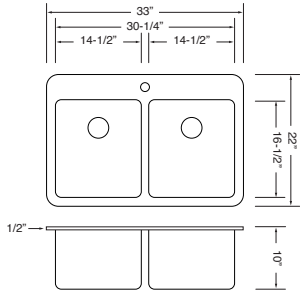
16 Gauge

Finish: Brushed
Bowl & Rim. Minimum
Recommended
Cabinet: 36"



TR1700

Tight Radius Corner Overmount Sink



Sink Size
33" x 22" x 10"

Bowl Size
14-1/2" x 16-1/2" x 10"

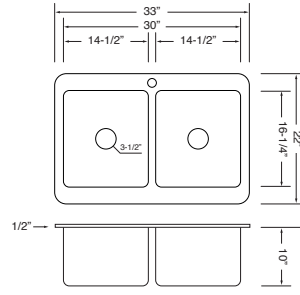
16 Gauge

Finish: Brushed Bowl & Rim. Minimum Recommended Cabinet: 33"



TR1800

Tight Radius Corner Overmount Sink



Sink Size
33" x 22" x 10"

Bowl Size
14-1/2" x 16-1/4" x 10"

16 Gauge

Finish: Brushed Bowl & Rim. Minimum Recommended Cabinet: 33"

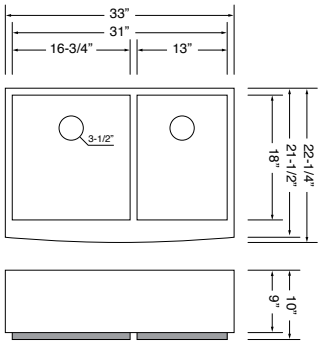




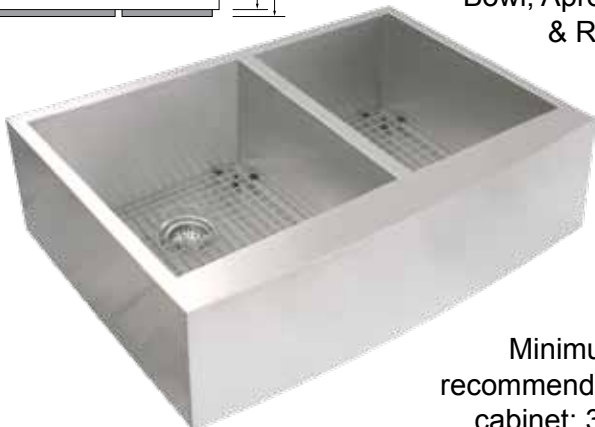
APRON SINKS

4401

Zero Radius Apron Sink



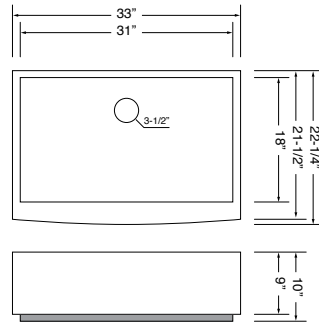
Sink Size
33" x 22-1/4" x 10"
Bowl Size
16-3/4" x 18" x 10"(L)
13" x 18" x 10"(R)
16 Gauge
Finish: Brushed
Bowl, Apron,
& Rim



Minimum
recommended
cabinet: 33"

4402

Zero Radius Apron Sink



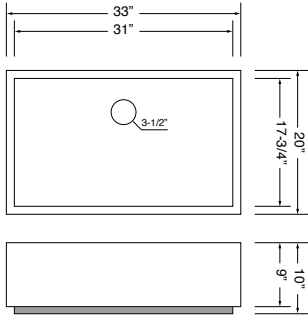
Sink Size
33" x 22-1/4" x 10"
Bowl Size
31" x 18" x 10"
16 Gauge
Finish: Brushed
Bowl, Apron,
& Rim



Minimum
recommended
cabinet: 33"

4403

Zero Radius Apron Sink



Sink Size
33" x 20" x 10"

Bowl Size
31" x 17-3/4" x 10"

16 Gauge

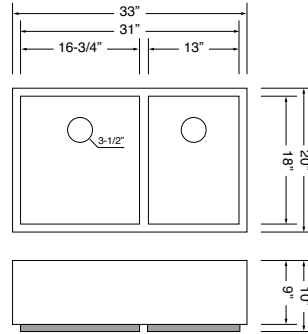
Finish: Brushed Bowl, Apron, & Rim



Minimum recommended cabinet: 33"

4404

Zero Radius Apron Sink



Sink Size
33" x 20" x 10"

Bowl Size
16-3/4" x 18" x 10" (L)
13" x 18" x 10" (R)

16 Gauge

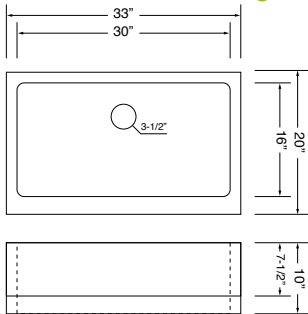
Finish: Brushed Bowl, Apron, & Rim



Minimum recommended cabinet: 33"

4405

Tight Radius Corner Apron Sink



Sink Size
33" x 20" x 10"

Bowl Size
30" x 16" x 10"

16 Gauge

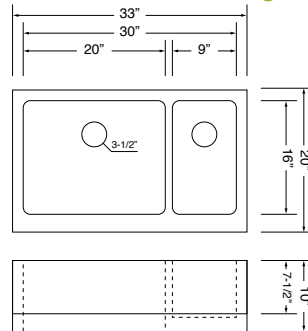
Finish: Brushed Bowl, Apron, & Rim



Minimum recommended cabinet: 33"

4406

Tight Radius Corner Apron Sink



Sink Size
33" x 20" x 10"

Bowl Size
20" x 16" x 10" (L)
9" x 16" x 8" (R)

16 Gauge

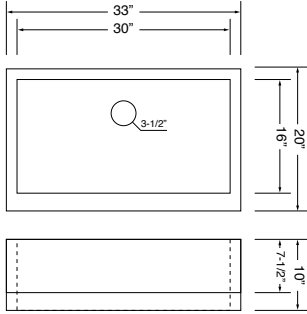
Finish: Brushed Bowl, Apron, & Rim



Minimum recommended cabinet: 33"

4407

Zero Radius Apron Sink



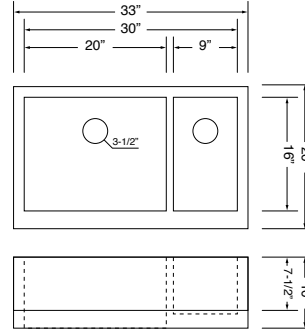
Sink Size
33" x 20" x 10"
Bowl Size
30" x 16" x 10"
16 Gauge
Finish: Brushed
Bowl, Apron,
& Rim



Minimum
recommended
cabinet: 33"

4408

Zero Radius Apron Sink



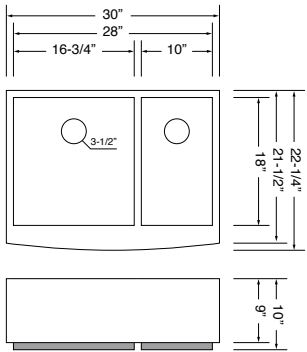
Sink Size
33" x 20" x 10"
Bowl Size
20" x 16" x 10" (L)
9" x 16" x 8" (R)
16 Gauge
Finish: Brushed
Bowl, Apron,
& Rim



Minimum
recommended
cabinet: 33"

4409

Zero Radius Apron Sink



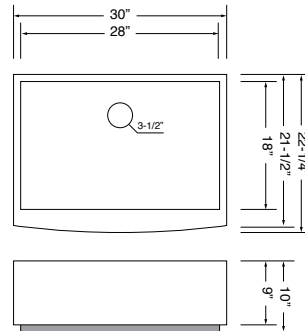
Sink Size
30" x 22-1/4" x 10"
Bowl Size
16-3/4" x 18" x 10" (L)
10" x 18" x 10" (R)
16 Gauge
Finish: Brushed
Bowl, Apron,
& Rim



Minimum
recommended
cabinet: 30"

4410

Zero Radius Apron Sink



Sink Size
30" x 22-1/4" x 10"
Bowl Size
28" x 18" x 10"
16 Gauge
Finish: Brushed
Bowl, Apron,
& Rim

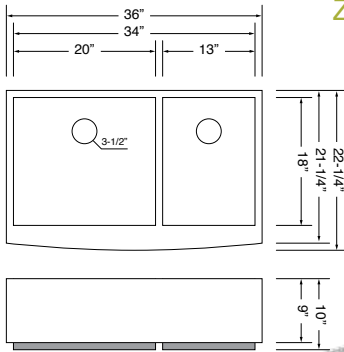


Minimum
recommended
cabinet: 30"

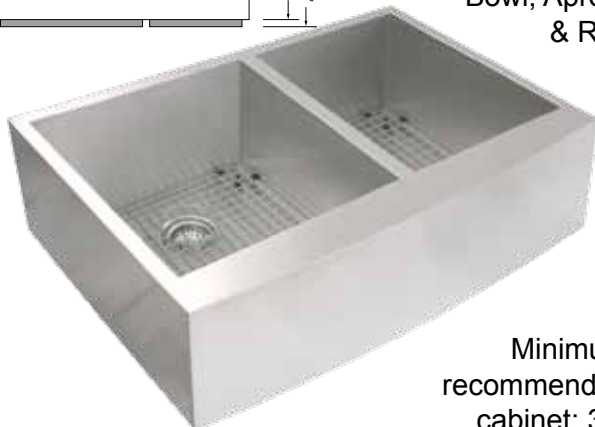


4411

Zero Radius Apron Sink



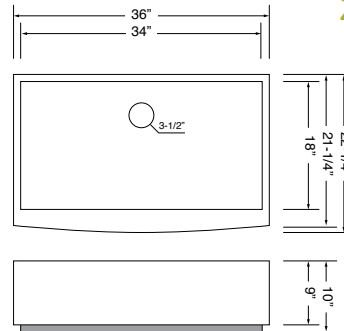
Sink Size
36 x 22-1/4" x 10"
Bowl Size
20" x 18" x 10"(L)
13" x 18" x 10"(R)
16 Gauge
Brushed
Bowl, Apron,
& Rim



Minimum recommended cabinet: 36"

4412

Zero Radius Apron Sink



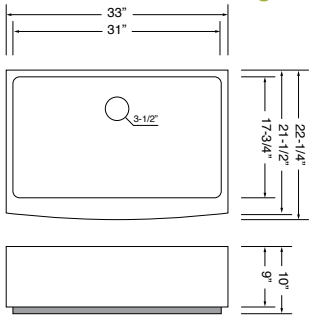
Sink Size
36" x 22-1/4" x 10"
Bowl Size
34" x 18" x 10"
16 Gauge
Finish: Brushed
Bowl, Apron,
& Rim



Minimum recommended cabinet: 36"

4413

Tight Radius Corner Apron Sink



Sink Size
33" x 22-1/4" x 10"

Bowl Size
31" x 17-3/4" x 10"

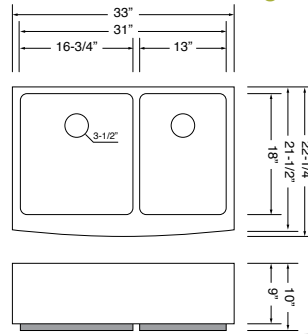
16 Gauge
Finish: Brushed
Bowl, Apron,
& Rim



Minimum
recommended
cabinet: 33"

4414

Tight Radius Corner Apron Sink



Sink Size
33" x 22-1/4" x 10"

Bowl Size
16-3/4" x 18" x 10"(L)
13" x 18" x 10"(R)

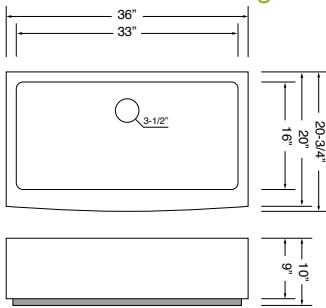
16 Gauge
Finish: Brushed
Bowl, Apron,
& Rim



Minimum
recommended
cabinet: 33"

4415

Tight Radius Corner Apron Sink



Sink Size
36" x 20-3/4" x 10"

Bowl Size
33" x 16" x 10"

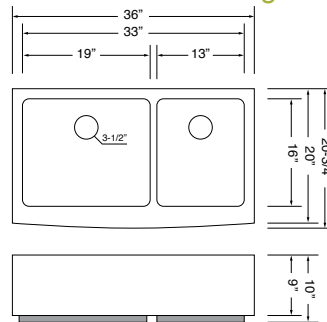
16 Gauge
Finish: Brushed
Bowl, Apron,
& Rim



Minimum
recommended
cabinet: 36"

4416

Tight Radius Corner Apron Sink



Sink Size
36" x 20-3/4" x 10"

Bowl Size
19" x 16" x 10"(L)
13" x 16" x 10"(R)

16 Gauge
Finish: Brushed
Bowl, Apron,
& Rim

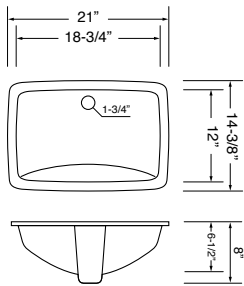


Minimum
recommended
cabinet: 36"

BATHROOM VANITY SERIES

SENTRA

Ceramic Undermount
with Overflow



S520A Almond
S520W White
I.D.
18-3/4" x 12"
8"h

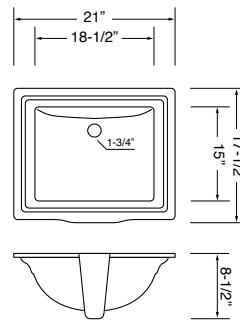
Almond

White



NOVA

Ceramic Overmount / Undermount
with Overflow



S610A Almond
S610W White
I.D.
18-1/2" x 15"
8-1/2"h

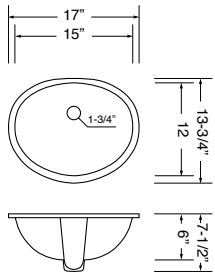
Almond

White



MORNING

Ceramic Undermount with Overflow

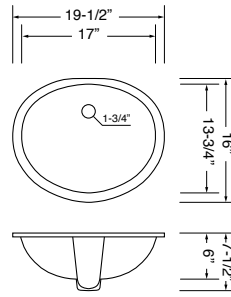


S620A Almond
S620B Black
S620W White
I.D.
15" x 12"
6"h



SUNSHINE

Ceramic Undermount with Overflow



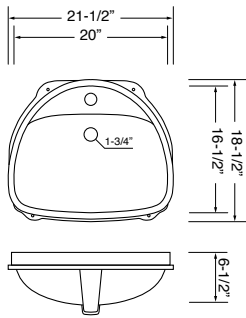
S640A Almond
S640B Black
S640W White
I.D.
17" x 13-3/4"
6"h



ORION

Ceramic Undermount
with Overflow

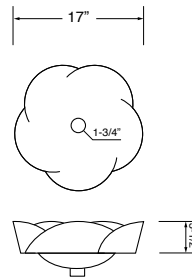
S660 White
I.D. 20" x 16-1/2"
6-1/2"h



LOTUS

Ceramic Vessel

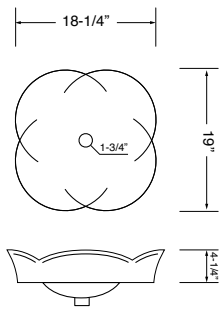
S2010 White
O.D. 17" d
3-1/2"h



DAISY

Ceramic Vessel

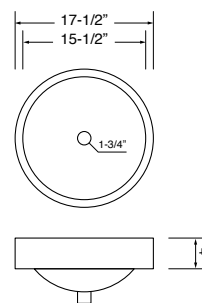
S2020 White
O.D. 18-1/4" x 19"
4-1/4"h



FULL MOON

Ceramic Vessel with Overflow

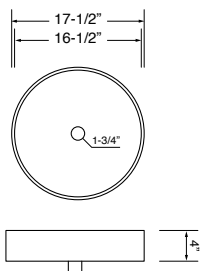
S2030 White
O.D. 17-1/2" d
4"h



GLACIER

Ceramic Vessel

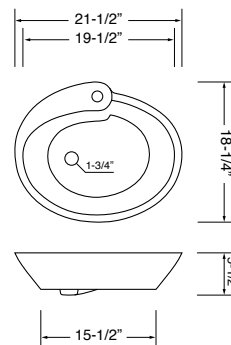
S2040 White
O.D. 17-1/2" d
4"h



TYPHOON

Ceramic Vessel with Overflow

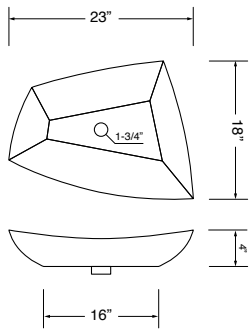
S2050 White
O.D. 21-1/2" x 18-1/4"
5-1/2"h



RAZOR

Ceramic Vessel

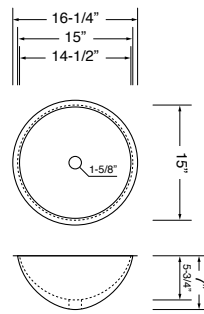
S2060 White
O.D. 23" x 18"
4"h



TILO

Double Wall Brushed Undermount
with Overflow

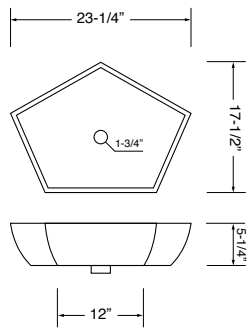
S710 Stainless Steel
I.D. 14-1/2"d, 5-3/4"h
20 Gauge



STAR FISH

Ceramic Vessel

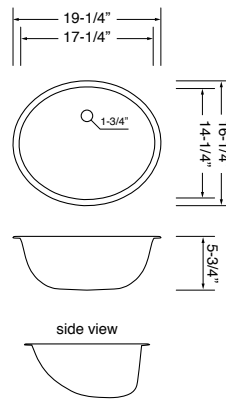
S2070 White
O.D. 23-1/4" x 17-1/2"
5-1/4"h



MAGNO

Double Wall Brushed Undermount/
Overmount with Overflow

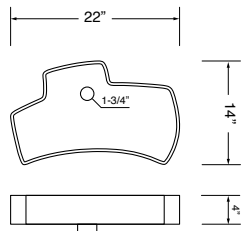
S720 Stainless Steel
O.D. 19-1/4" x 16-1/4", 5-3/4"h
20 Gauge



JIGSAW

Ceramic Vessel

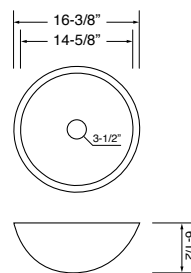
S2080 White
O.D. 22" x 14"
4"h



ENVIRON

Double Wall Mirror Vessel
with Overflow

S2090 Stainless Steel
O.D. 16-3/8"d, 6-1/2"h
20 Gauge

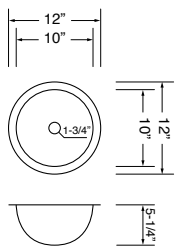


COPPER SINKS



C11

Copper Undermount Vanity

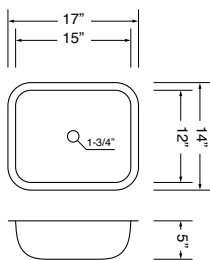


I.D.
10" d
5-1/4" h
16 Gauge
Finish:
Medium
Antique
Hammer



C12

Copper Undermount Vanity

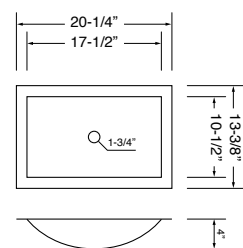


I.D.
15" x 12"
5" h
16 Gauge
Finish:
Medium
Antique
Hammer



C13

Copper Undermount Vanity

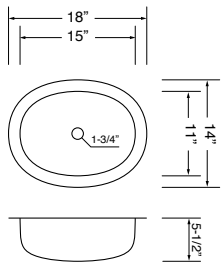


I.D.
17-1/2"
x 10-1/2"
4" h
16 Gauge
Finish:
Medium
Antique
Hammer



C14

Copper Undermount Vanity

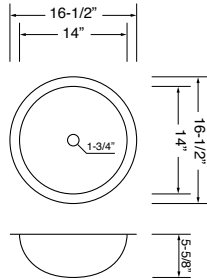


I.D.
15" x 11"
5-1/2"h
16 Gauge
Finish:
Medium
Antique
Hammer



C15

Copper Undermount Vanity

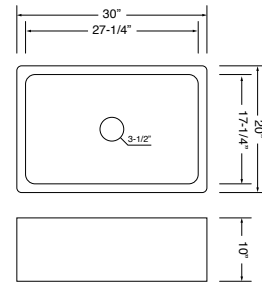


I.D.
14" d
5-5/8"h
16 Gauge
Finish:
Medium
Antique
Hammer



C17

Copper Apron Sink

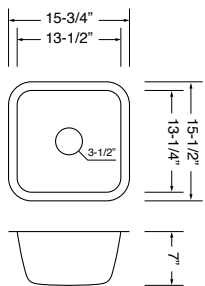


I.D.
27-1/4"
x 17-1/4"
10"h
16 Gauge
Finish:
Medium
Antique
Hammer



C18

Copper Undermount Kitchen

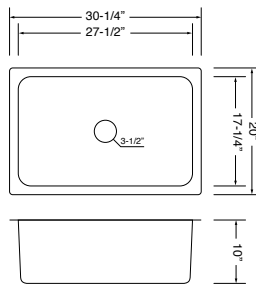


I.D.
13-1/2"
x 13-1/4"
7"h
16 Gauge
Finish:
Medium
Antique
Hammer



C19

Copper Undermount Kitchen

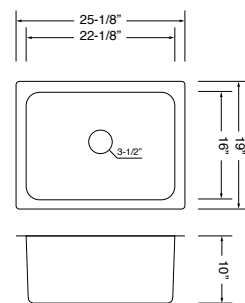


I.D.
27-1/2"
x 17-1/4"
10"h
16 Gauge
Finish:
Medium
Antique
Hammer



C20

Copper Undermount Kitchen

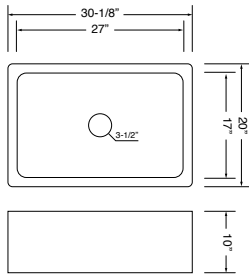


I.D.
22-1/8"
x 16"
10"h
16 Gauge
Finish:
Medium
Antique
Hammer



C21

Copper Apron Sink

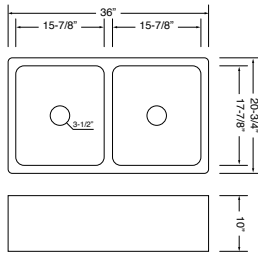


I.D.
27" x 17"
10"h
16 Gauge
Finish:
Medium
Antique
Hammered



C22

Copper Apron Sink

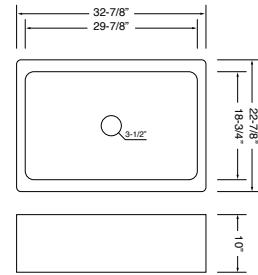


I.D.
15-7/8"
x 17-7/8"
(L, R)
10"h
16 Gauge
Finish:
Medium
Antique
Hammer



C23

Copper Apron Sink

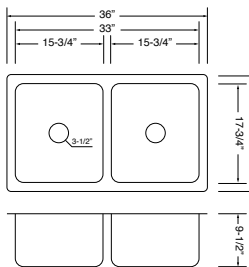


I.D.
29-7/8"
x 18-3/4"
10"h
16 Gauge
Finish:
Medium
Antique
Hammer



C24

Copper Undermount Kitchen

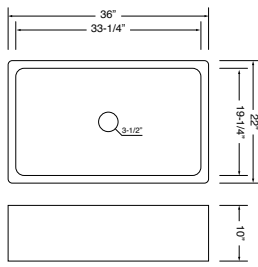


I.D.
15-3/4"
x 17-3/4"
(L, R)
9-1/2"h
16 Gauge
Finish:
Medium
Antique
Hammer

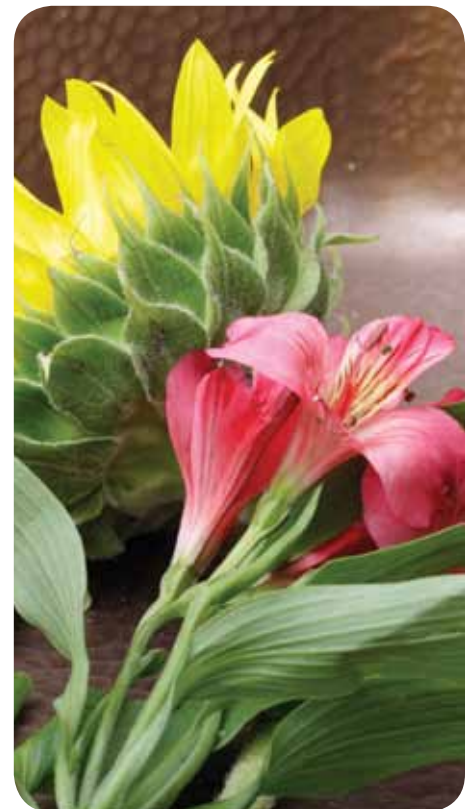


C25

Copper Apron Sink



I.D.
33-1/4"
x 19-1/4"
10"h
16 Gauge
Finish:
Medium
Antique
Hammer



SINK ACCESSORIES



	Reg. Strainer	Basket Strainer	Grid Set	Basket Grid	Cutting Board	Colander	Basket Colander
103	✓	✓	✓			✓	
105/105R	✓	✓	✓		✓	✓	
105D/105DR	✓	✓	✓		✓	✓	
105-8/105-8R	✓	✓	✓		✓	✓	
112	✓	✓	✓		✓	✓	
113	✓	✓	✓		✓	✓	
115	✓	✓	✓		✓	✓	
205	✓	✓	✓		✓	✓	
205D	✓	✓	✓		✓	✓	
215	✓	✓	✓		✓	✓	
305/305R	✓	✓	✓		✓	✓	
305D/305DR	✓	✓	✓		✓	✓	
315/315R	✓	✓	✓		✓	✓	
405	✓	✓	✓		✓	✓	
405D/405DR	✓	✓	✓		✓	✓	
505	✓	✓	✓		✓	✓	
605	✓	✓	✓		✓	✓	
615	✓	✓	✓		✓	✓	
705	✓	✓	✓			✓	
805	✓	✓	✓			✓	
815	✓	✓	✓			✓	
905	✓	✓	✓			✓	
1205	✓	✓	✓			✓	
1210	✓	✓	✓			✓	
1215	✓	✓	✓			✓	
991	✓	✓				✓	
992	✓	✓				✓	
995	✓	✓	✓			✓	
997	✓	✓	✓			✓	
998	✓	✓	✓			✓	
999	✓	✓					
108	✓	✓		✓		✓	
208	✓	✓	✓	✓	✓	✓	
308	✓	✓	✓	✓	✓	✓	
408	✓	✓	✓	✓	✓	✓	
508	✓	✓	✓	✓	✓	✓	
608/608R	✓	✓	✓	✓	✓	✓	
3510-3560	✓	✓	✓		✓	✓	✓
3610-3660	✓	✓	✓			✓	
6501	✓	✓	✓			✓	
6502	✓	✓	✓			✓	
6503	✓	✓	✓			✓	
6511	✓	✓	✓			✓	
6512	✓	✓	✓			✓	
6513	✓	✓	✓			✓	
TR1200	✓	✓	✓		✓	✓	
TR1300	✓	✓	✓		✓	✓	
TR1400	✓	✓	✓		✓	✓	
TR1500	✓	✓	✓		✓	✓	
TR1700	✓	✓	✓		✓	✓	
TR1800	✓	✓	✓		✓	✓	
4401-4416	✓	✓	✓			✓	

PRODUCT WARRANTY – TICOR SINKS

Ticor Brand Sinks are manufactured from the highest quality stainless steel material. This material is known as Stainless 304 - 18/10 grade which is recommended for the fabrication of sinks and other kitchen products. The product has sound reducing pads attached to the underside and a thick protective coating is applied over the entire bottom preventing condensation in the cabinet area. The inside of the bowls are made to a satin-brush finish which not only give our sinks a distinctive look but also help reduce the appearance of scratches that may happen during common use. The exposed rim and center divider has a mirror finish making the sink a very attractive addition to any kitchen.

WARRANTY POLICY:

All of the sinks that we carry are brand new. You will be satisfied and amazed with the quality of these sinks. Our warranty extends to both material and workmanship for the life of the sink under household use to the original owner. Normal use of the sink may produce scratches or stains (depending of use) that are not cover in the lifetime warranty.

MATERIAL CONTENTS:

The 18/10 refers to the proportion of chromium to nickel in the stainless steel alloy. To be classified as stainless steel, an iron base alloy must contain at least 10.5 % of chromium. The presence of chromium enables the steel to form an invisible layer of oxide that protects it against corrosion. If this layer is damaged, a new one forms immediately due to the oxygen content of the air. Increasing the chromium content to 18% has further increased this protection. The addition of nickel to the alloy increased its corrosion resistance while adding a bright polished appearance, hardness, and exceptional resistance to all temperatures. As the nickel level is increased, the quality of the stainless steel is increased. The “top of the line” boast 10% nickel content, the highest quality available in stainless steel.

Stainless steel is defined as an iron-carbon alloy with a minimum of 10.5% chromium content. The name originates from the fact that stainless steel does not stain, corrode or rust as easily as ordinary steel. This material is also called corrosion resistant steel. Common uses of stainless steel are everyday cutlery and watch straps. Stainless steels have higher resistance to oxidation (rust) and corrosion in many natural and manmade environments; however, it is important to select the correct type and grade of stainless steel for the particular application. High oxidation resistance in air at ambient temperature is normally achieved with additions of a minimum of 13% (by weight) chromium, and up to 26% is used for harsh environments. The chromium forms a passivation layer of chromium III oxide (Cr₂O₃) when exposed to oxygen. The layer is too thin to be visible, meaning the metal remains lustrous. It is, however, impervious to water and air, protecting the metal beneath. Also, this layer quickly reforms when the surf ace is scratched. This phenomenon is called passivation and is seen in other metals, such as aluminum and titanium.

Pitting corrosion can occur when stainless steel is subjected to high concentration of chloride ions (for example, sea water and household bleach) and moderately high temperatures. Contact corrosion is a combination of galvanic corrosion and crevice corrosion, occurring where small particles of suitable foreign material are embedded to the stainless steel. Carbon steel is a very common contaminant here, coming from nearby grinding of carbon steel or use of tools contaminated with carbon steel particles. The particle forms a galvanic cell, and quickly corrodes away, but may leave a pit in the stainless steel from which pitting corrosion may rapidly progress. Stainless steel Grades (excerpt) Type 304—the most common grade; the classic 18/8 stainless steel. Also referred to as “A2” in accordance with International Organization for Standardization – ISO 3506

CLEANING SUGGESTIONS:

Based on above comments, the use of steel scouring pads is never recommended for stainless steel. Also, harsh cleaning fluids are not to be used (specially bleach). Pads made out of synthetic materials (3-M, scotch guard, etc.) with NO cleaning additives are to be used. We recommend a stainless steel approved cleaner, Barkeeper’s Friend, a cleaning agent made for Stainless Steel is made in a powder as well as a liquid form. The cleaning method should be to use the pads in the direction of the finish of the bowl. Never clean across the grain, the objective is to blend the scratches with the existing finish.

TICORSINKS.COM